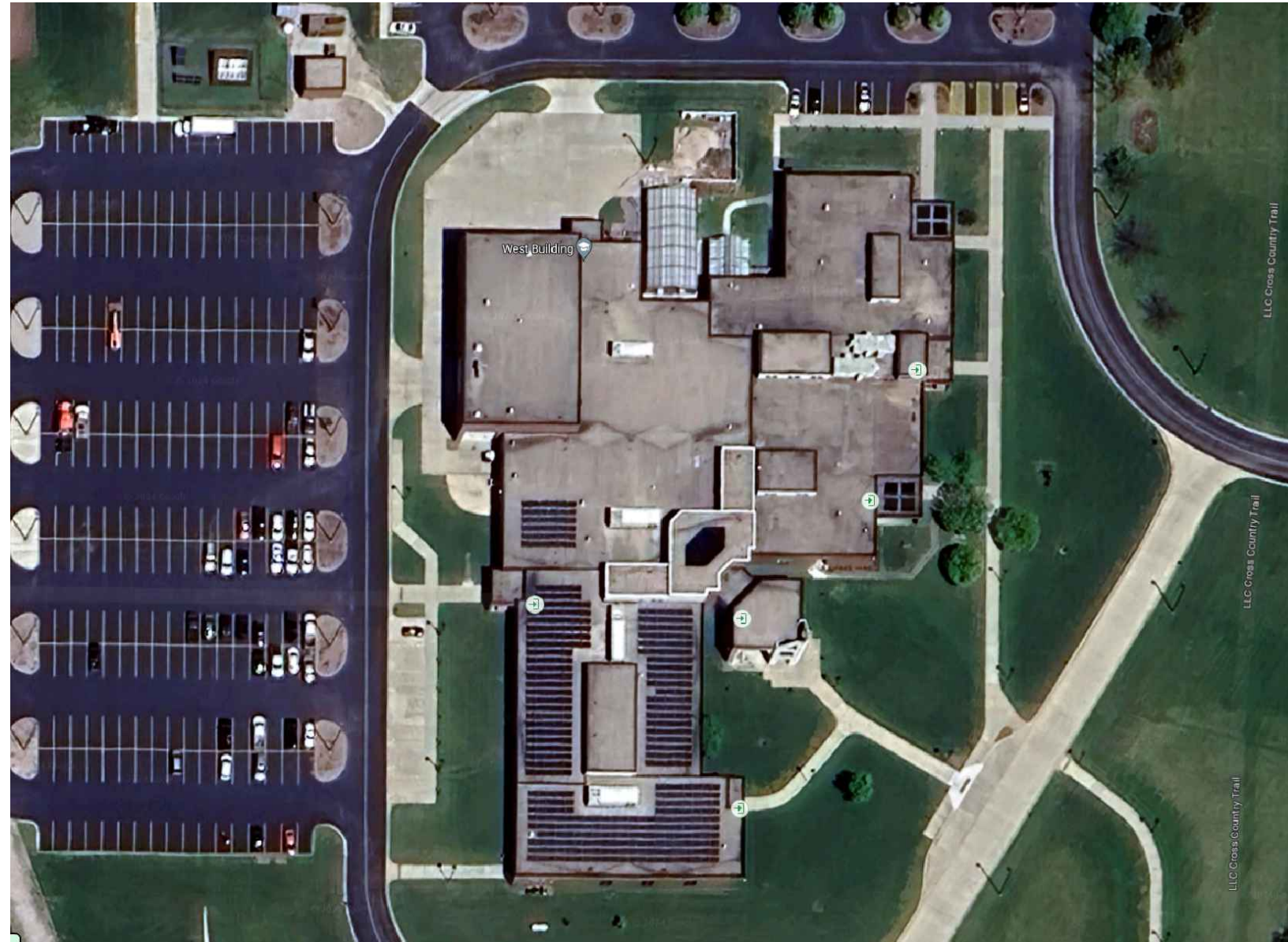
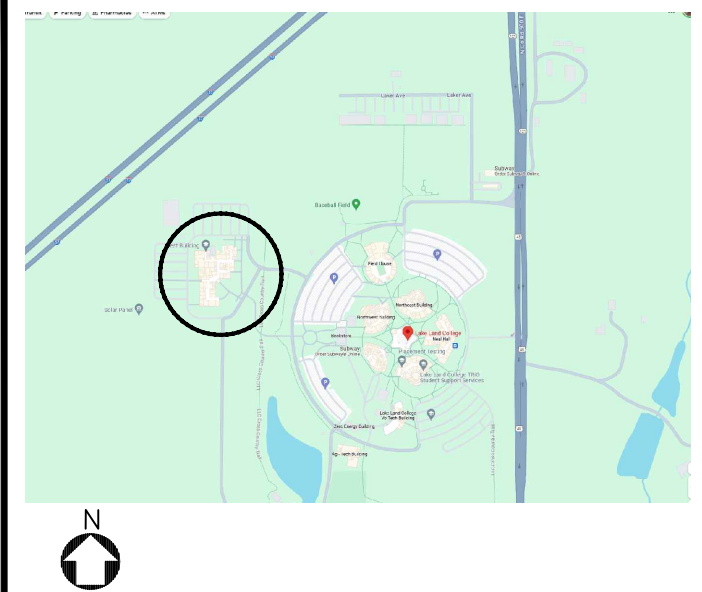


LAKE LAND COLLEGE ROOF REPLACEMENT WEST BLDG.

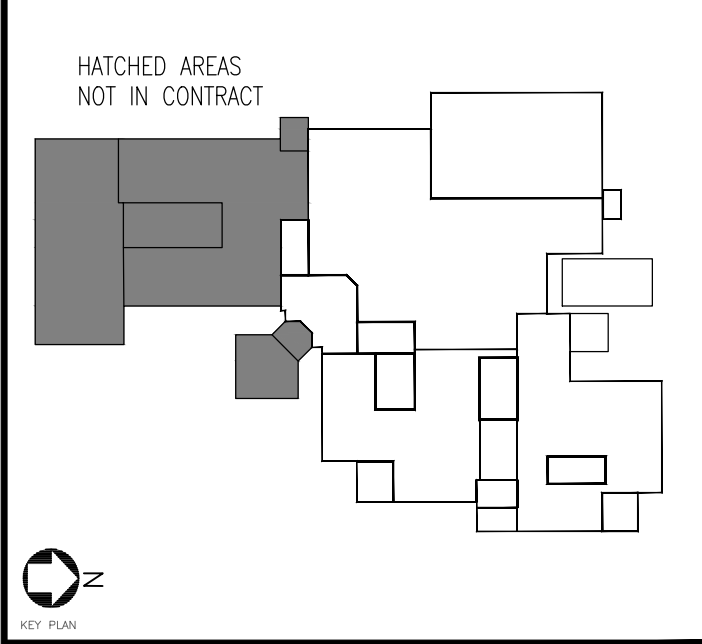
5001 LAKE LAND BLVD, MATTOON, IL 61938



LOCATION MAP



KEY PLAN



DRAWING INDEX

- SHT 1 - COVER SHEET
- SHT 2 - SCOPE
- SHT 3 - SCOPE
- SHT 4 - ROOF PLAN
- SHT 5 - DETAILS
- SHT 6 - DETAILS
- SHT 7 - DETAILS

NOTE: This item has been digitally signed and sealed. Digital signatures must be verified on electronic files. Reproduced copies of digitally signed, dated, and sealed documents are not considered signed and sealed.

<p>LAKE LAND COLLEGE 5001 LAKE LAND BLVD, MATTOON, IL 61938</p>		<p>DATE: 06-04-24 DWG BY: GCK CHK BY: RB</p>
<p>ARCHITECT: K2M DESIGN, INC.</p>		<p>GARLAND / DBS INC. 3800 EAST 91st STREET - CLEVELAND, OHIO 44105-2197 PHONE (800) 321-9336 / FAX (216) 641-0633</p>
<p>REVISION:</p>		
<p>LICENSED ARCHITECT SCOTT CHRISTOPHER MALONEY No. 001.020039 STATE OF ILLINOIS</p>		<p>SCOTT C. MALONEY COA: 18400768 LICENSE # 001020039 EXPIRATION DATE: 11/30/2024</p>
<p>PROJECT NUMBER 2024-010</p>		<p>SHEET: 1 OF 7</p>

LAKE LAND COLLEGE: WEST BUILDING SCOPES OF WORK:


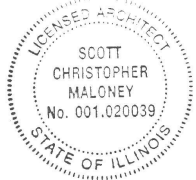
BASE BID SCOPE OF WORK: ROOF SECTIONS 4-12

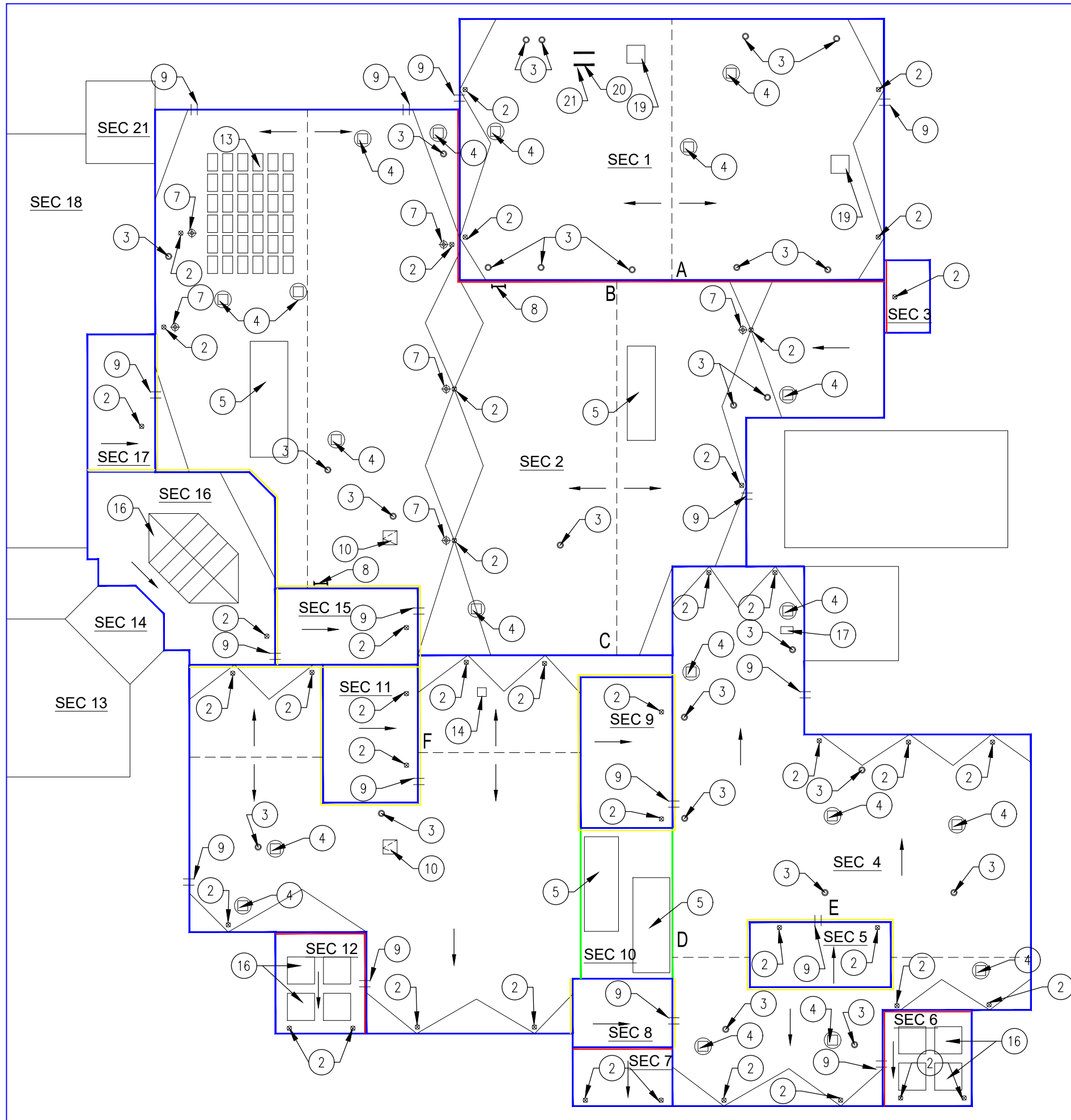
1. REMOVE EXISTING ROOF DOWN TO DECK AND DISPOSE OF ACCORDING TO ALL LOCAL AND STATE GUIDELINES.
2. MECHANICALLY FASTEN 2-LAYERS OF 2.6" (R-30) RIGID POLYISOCYANURATE TO METAL DECK PER WIND UP LIFT REQUIREMENTS FROM MANUFACTURER.
3. INSTALL 1/2" PRIMED DENS-DECK SET IN APPROVED INSULATION ADHESIVE USING MANUFACTURERS WIND-UP LIFT REQUIREMENTS.
4. INSTALL 1/2-12 TAPERED INSULATION CRICKETS WITH A STARTING THICKNESS OF 1/2" TO FACILITATED POSITIVE DRAINAGE TO INTERNAL ROOF DRAINS. INSULATION SHOULD BE INSTALLED IN APPROVED INSULATION ADHESIVE PER MANUFACTURERS WIND-UP LIFT REQUIREMENTS.
5. INSTALL MODIFIED BASE SHEET SET IN POLYMER ADHESIVE AT 2.0-2.5 GAL PER SQUARE.
6. INSTALL MINERAL CAP SHEET SET IN POLYMER ADHESIVE AT 2.0-2.5 GAL PER SQUARE.
7. MODIFIED MINERAL CAP SHEET SEAMS MUST BE HEAT WELDED USING A MODIFIED BITUMEN APPROVED WELDER.
8. FLASHINGS SHALL CONSIST OF:
 - a. MODIFIED BASE SHEET SET IN POLYMER FLASHING ADHESIVE AT 3 GAL PER SQUARE.
 - b. MINERAL CAP SHEET SET IN POLYMER MODIFIED FLASHING ADHESIVE AT 3 GAL PER SQUARE AND HEAT WELD ALL VERTICAL SEAMS.
 - c. THREE COURSE ALL INSIDE AND OUTSIDE CORNERS OF CURBS AND WALL FLASHINGS WITH ALUMINIZED MASTIC AND MESH.
9. REPLACE CLAMPING RINGS AND STRAINERS ON DRAINS, MAKE SURE THEY ARE ALL PAINTED WITH RUSTOLEUM FIRE ENGINE RED SPRAY PAINT.
10. ALL SOIL STACKS AND DRAINS SHALL RECEIVE NEW LEADS.
11. INSTALL COPING, COUNTER FLASHING, AND EDGE METAL PER DRAWINGS.

ALTERNATE BID #1 SCOPE OF WORK: ROOF SECTIONS 1-3 , 15-17

1. REMOVE EXISTING ROOF DOWN TO DECK AND DISPOSE OF ACCORDING TO ALL LOCAL AND STATE GUIDELINES.
2. ROOF SECTIONS 1, 2, 3, 15, 16, & 17 SHALL HAVE 2 LAYERS OF 2.6" RIGID POLYISOCYANURATE MECHANICALLY FASTENED TO METAL DECK PER UP LIFT REQUIREMENTS FROM MANUFACTURER TO ACHIEVE R-30.
3. INSTALL 1/2" PRIMED DENS-DECK SET IN APPROVED INSULATION ADHESIVE USING MANUFACTURERS WIND-UP LIFT REQUIREMENTS.
4. INSTALL 1/2-12 TAPERED INSULATION CRICKETS WITH A STARTING THICKNESS OF 1/2" TO FACILITATED POSITIVE DRAINAGE TO INTERNAL ROOF DRAINS. INSULATION SHOULD BE INSTALLED IN APPROVED INSULATION ADHESIVE PER MANUFACTURERS WIND-UP LIFT REQUIREMENTS.
5. INSTALL MODIFIED BASE SHEET SET IN POLYMER ADHESIVE AT 2.0-2.5 GAL PER SQUARE.
6. INSTALL MINERAL CAP SHEET SET IN POLYMER ADHESIVE AT 2.0-2.5 GAL PER SQUARE.
7. MODIFIED MINERAL CAP SHEET SEAMS MUST BE HEAT WELDED USING A MODIFIED BITUMEN APPROVED WELDER.
8. FLASHINGS SHALL CONSIST OF:
 - d. MODIFIED BASE SHEET SET IN POLYMER FLASHING ADHESIVE AT 3 GAL PER SQUARE.
 - e. MINERAL CAP SHEET SET IN POLYMER MODIFIED FLASHING ADHESIVE AT 3 GAL PER SQUARE AND HEAT WELD ALL VERTICAL SEAMS.
 - f. THREE COURSE ALL INSIDE AND OUTSIDE CORNERS OF CURBS AND WALL FLASHINGS WITH ALUMINIZED MASTIC AND MESH.
9. REPLACE CLAMPING RINGS AND STRAINERS ON DRAINS, MAKE SURE THEY ARE ALL PAINTED WITH RUSTOLEUM FIRE ENGINE RED SPRAY PAINT.
10. ALL SOIL STACKS AND DRAINS SHALL RECEIVE NEW LEADS.
11. INSTALL COPING, COUNTER FLASHING, AND EDGE METAL PER DRAWINGS.

NOTE: This item has been digitally signed and sealed. Digital signatures must be verified on electronic files. Reproduced copies of digitally signed, dated, and sealed documents are not considered signed and sealed.

<p>LAKE LAND COLLEGE 5001 LAKE LAND BLVD, MATTOON, IL 61938</p>	<p>DATE: 06-04-24</p>	<p>DWG BY: GCK</p>	<p>CHK BY: RB</p>	<p>GARLAND / DBS INC. 3800 EAST 91st STREET - CLEVELAND, OHIO 44105-2197 PHONE (800) 321-9336 / FAX (216) 641-0633</p>
<p>ARCHITECT: K2M DESIGN, INC.</p>				
<p>REVISION:</p>				
<p>SCOTT C. MALONEY COA: 18400768 LICENSE #: 001020039 EXPIRATION DATE: 11/30/2024</p>			<p>PROJECT NUMBER 2024-010</p>	
<p>SHEET: 2 OF 7</p>				<p>7</p>





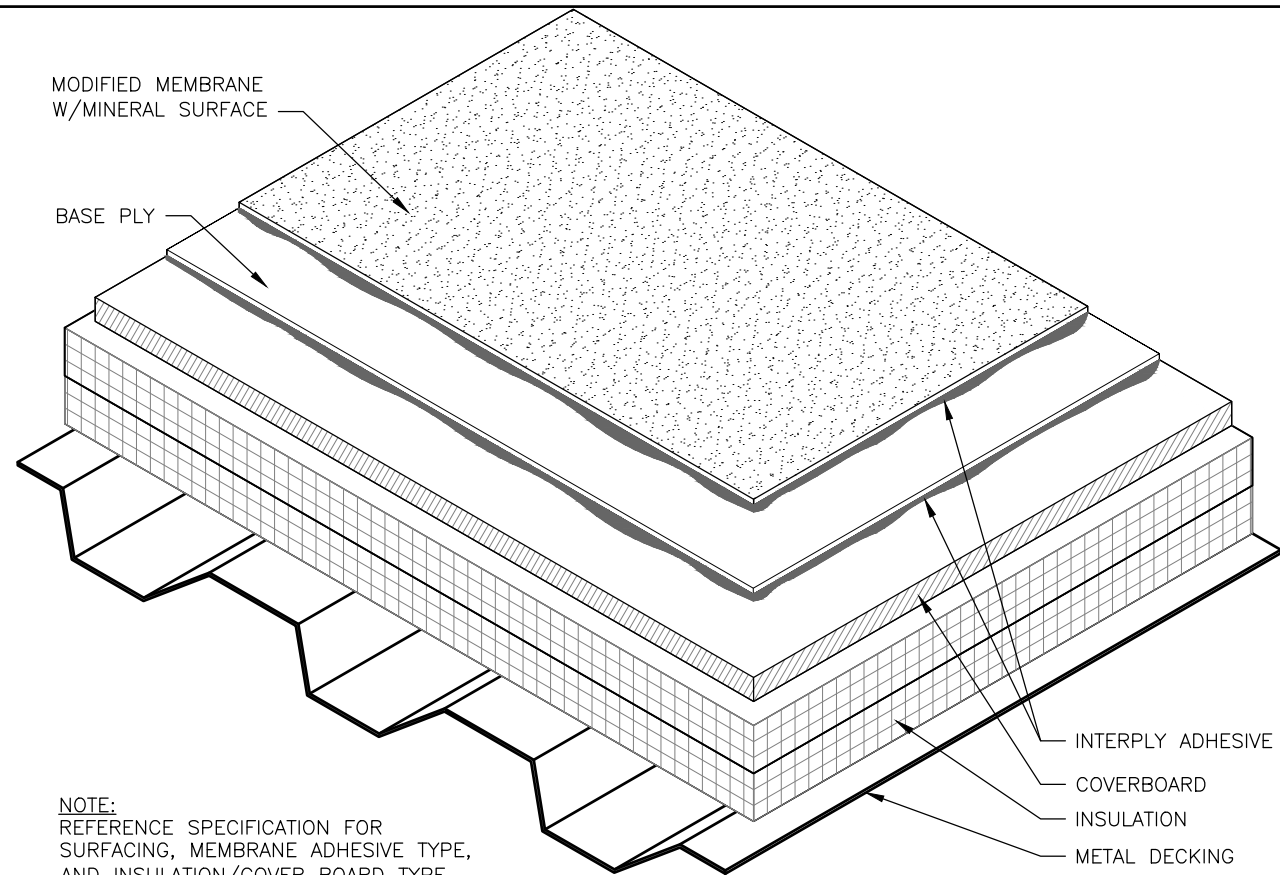
SYMBOL LEGEND	
	1. METAL COPING CAP, DTL B/5
	2. DRAIN, DTL K/7
	3. SOIL STACK, DTL G/6
	4. POWER VENT FAN, DTL C/5
	5. HVAC UNIT, DTL D/5
	6. REGLET COUNTERFLASHING, DTL P/7
	7. OVERFLOW DRAIN, DTL L/7
	8. LADDER
	9. OVERFLOW SCUPPER, DTL M/7
	10. ROOF HATCH, DTL E/6
	11. PIPE PORTAL, DTL F/6
	12. WALL PANEL WALL FLASHING, DTL N/7
	13. SOLAR PANEL ARRAY
	14. PITCH PAN
	15. METAL EDGE
	16. SKYLIGHT, DTL J/6
	17. PIPE PENETRATION, DTL H/6
	18. DEADLOAD
	19. VENT CURB
	20. RAIL CURB
	21. DUCT CURB

ROOF PLAN
 SCALE: 1" = 30'

NOTE: This item has been digitally signed and sealed. Digital signatures must be verified on electronic files. Reproduced copies of digitally signed, dated, and sealed documents are not considered signed and sealed.

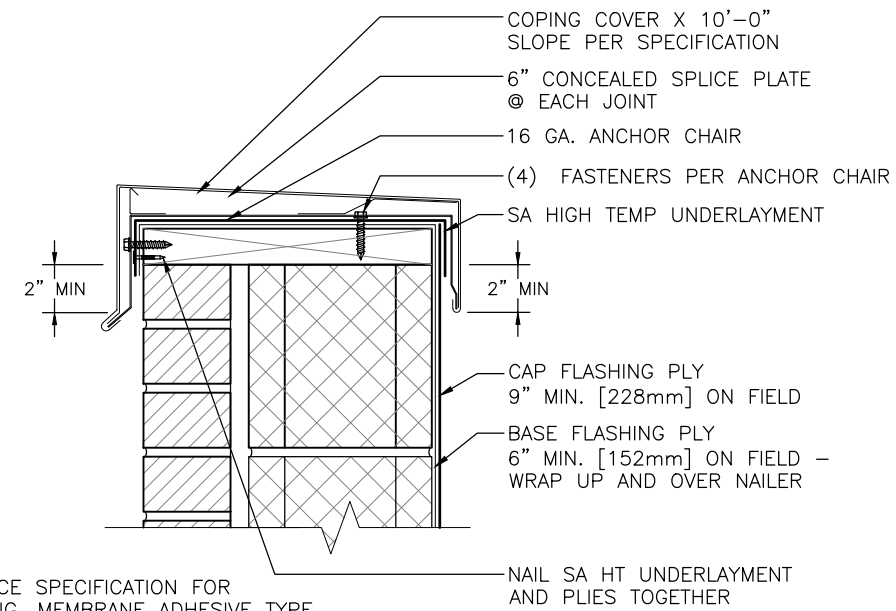
NOTE:
 CONTRACTOR SHALL FIELD VERIFY ALL
 DIMENSIONS, CONDITIONS AND QUANTITIES.

LAKE LAND COLLEGE 5001 LAKE LAND BLVD, MATTOON, IL 61938		DATE: 06-04-24	DWG BY: GCK	CHK BY: RB
ARCHITECT: K2M DESIGN, INC.		 GARLAND / DBS INC. <small>3800 EAST 91st STREET - CLEVELAND, OHIO 44105-2197 PHONE (800) 321-9336 / FAX (216) 641-0633</small>		
		SCOTT C. MALONEY COA: 18400768 LICENSE #: 001020039 EXPIRATION DATE: 11/30/2024 PROJECT NUMBER 2024-010		
REVISION:		SHEET: 4 OF 7		



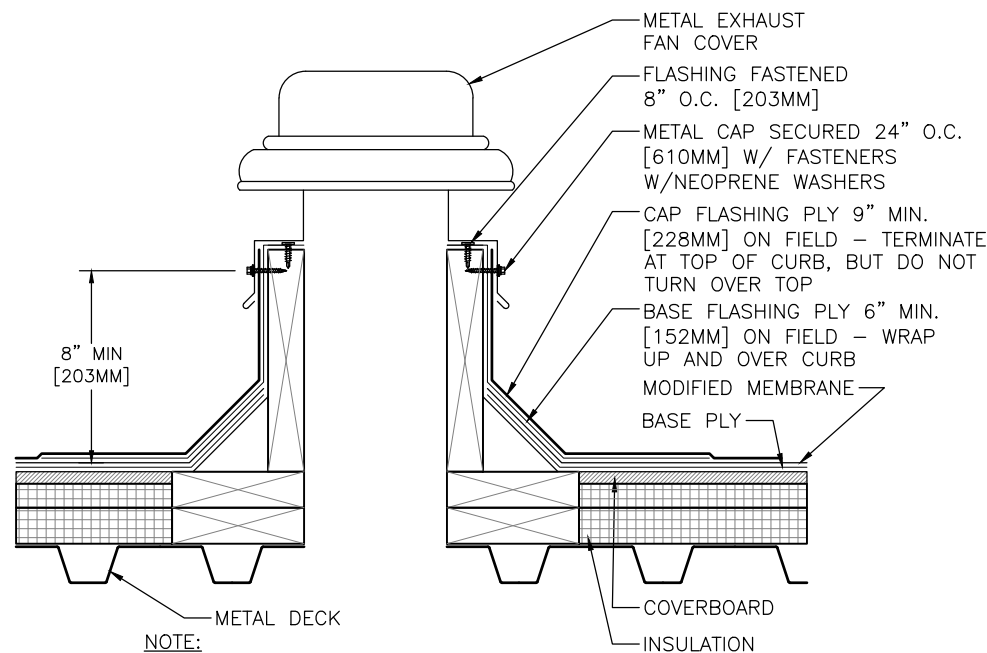
NOTE:
REFERENCE SPECIFICATION FOR
SURFACING, MEMBRANE ADHESIVE TYPE,
AND INSULATION/COVER BOARD TYPE
AND ATTACHMENT METHOD.

A
5 **TYPICAL ROOF SYSTEM
MINERAL SURFACE**
SCALE: 3" = 1'-0"



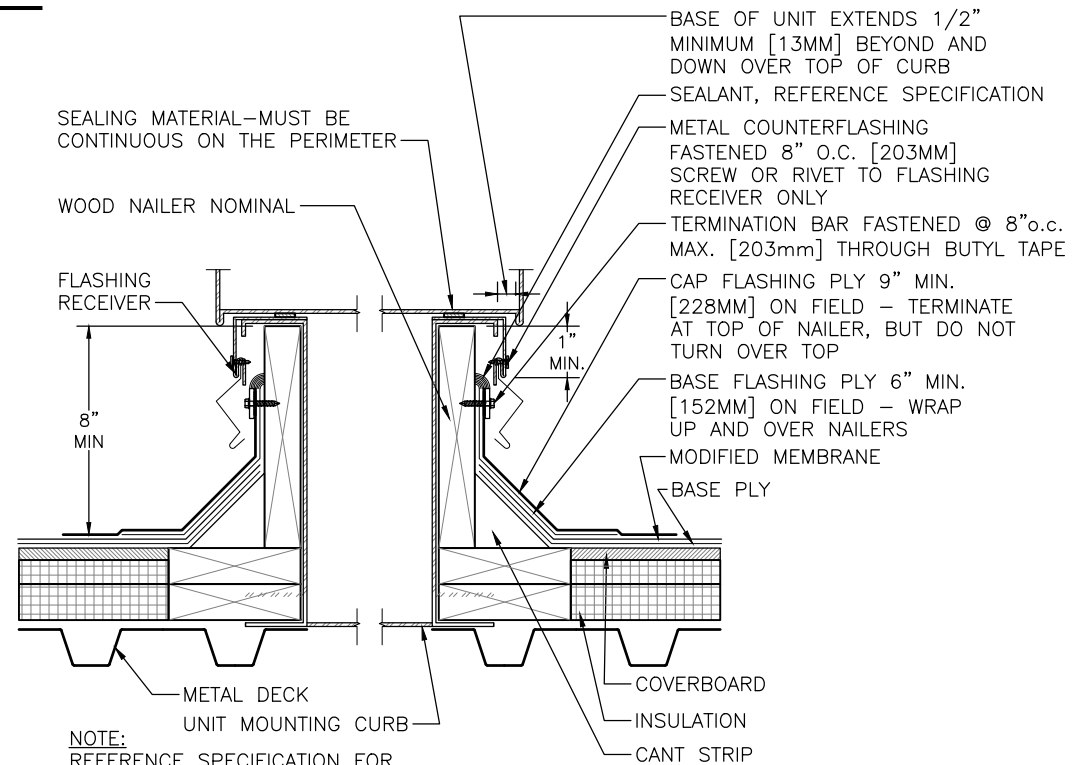
NOTE:
REFERENCE SPECIFICATION FOR
SURFACING, MEMBRANE ADHESIVE TYPE,
AND INSULATION/COVER BOARD TYPE
AND ATTACHMENT METHOD.

B
5 **COPING CAP AT MASONRY WALL**
SCALE: 1 1/2" = 1'-0"



NOTE:
REFERENCE SPECIFICATION FOR
SURFACING, MEMBRANE ADHESIVE TYPE,
AND INSULATION/COVER BOARD TYPE
AND ATTACHMENT METHOD.


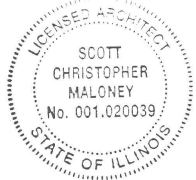
C
5 **EXHAUST FAN**
SCALE: 1 1/2" = 1'-0"

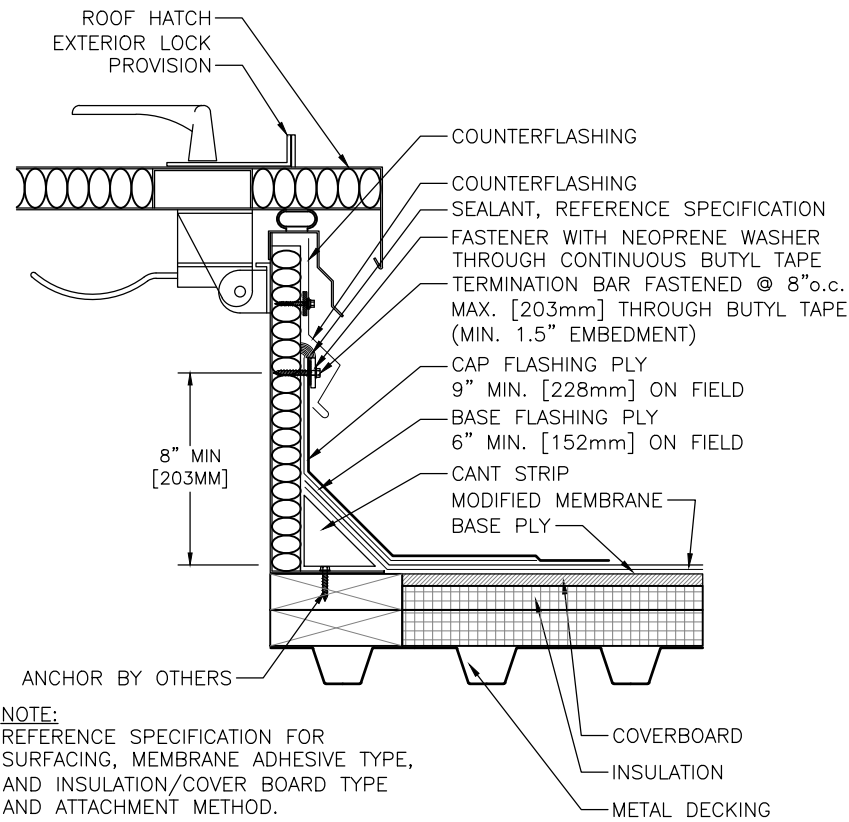


NOTE:
REFERENCE SPECIFICATION FOR
SURFACING, MEMBRANE ADHESIVE TYPE,
AND INSULATION/COVER BOARD TYPE
AND ATTACHMENT METHOD.

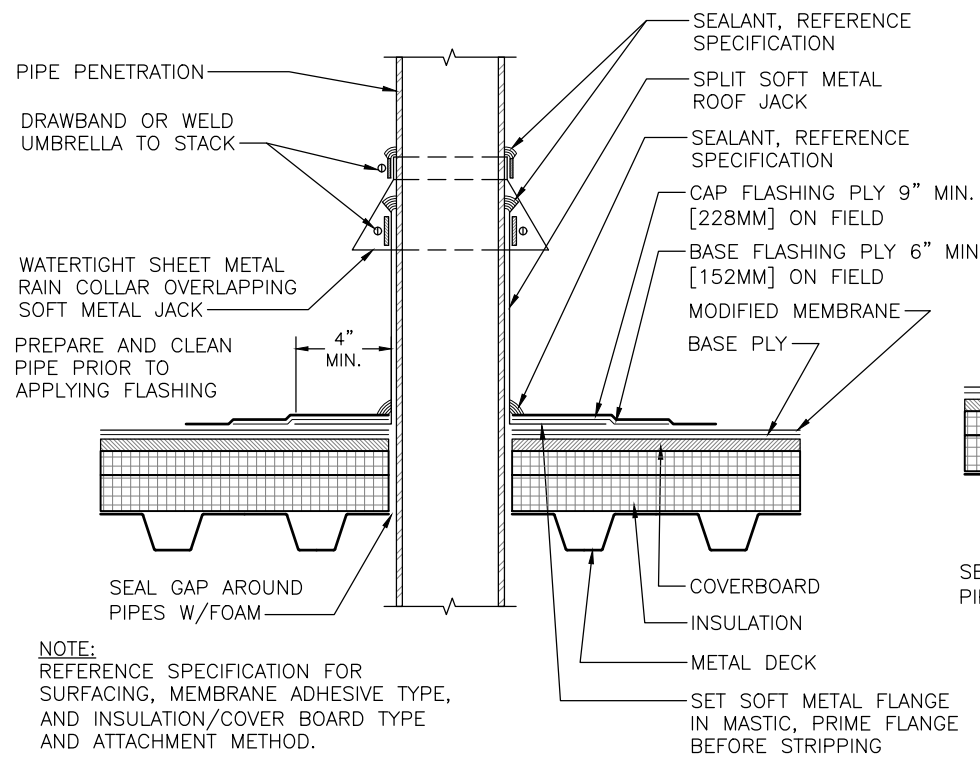
D
5 **CURB DETAIL / AIR
HANDLING STATION**
SCALE: 1 1/2" = 1'-0"

NOTE: This item has been digitally signed and sealed. Digital signatures must be verified on electronic files. Reproduced copies of digitally signed, dated, and sealed documents are not considered signed and sealed.

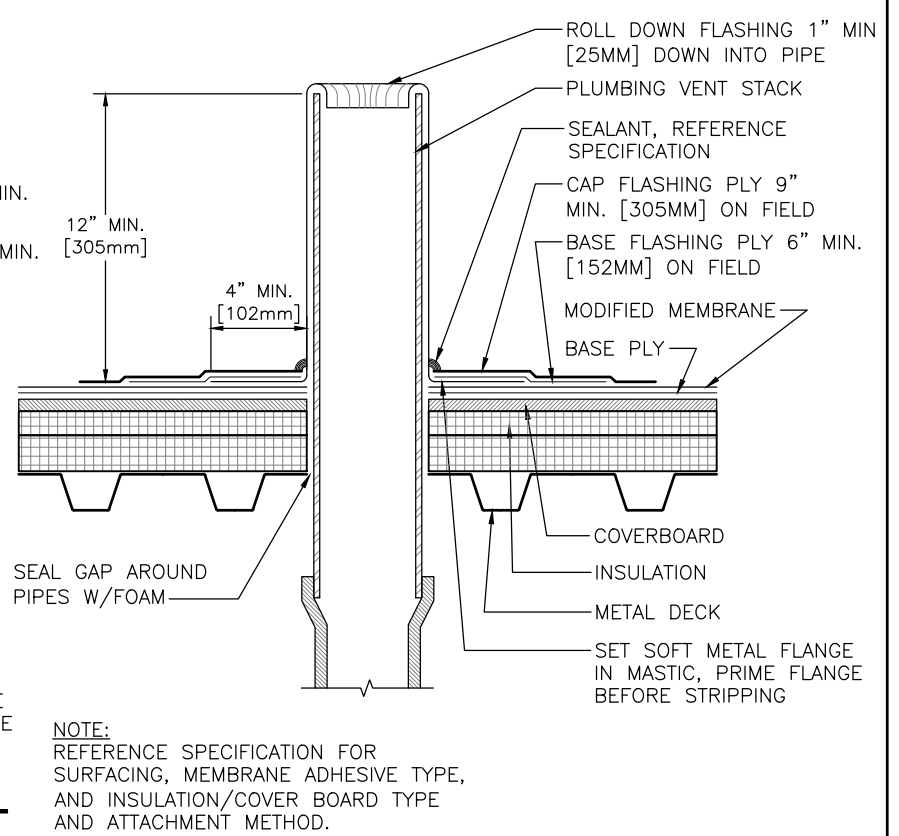
7	5001 LAKE LAND BLVD, MATTOON, IL 61938	DATE: 06-04-24	DWG BY: GCK	CHK BY: RB
	ARCHITECT: K2M DESIGN, INC.	GARLAND / DBS INC. 3800 EAST 91st STREET - CLEVELAND, OHIO 44105-2197 PHONE (800) 321-9336 / FAX (216) 641-0633		
REVISION:				
		SCOTT C. MALONEY COA: 18400768 LICENSE #: 001020039 EXPIRATION DATE: 11/30/2024 PROJECT NUMBER 2024-010		
SHEET: 5 OF 7				



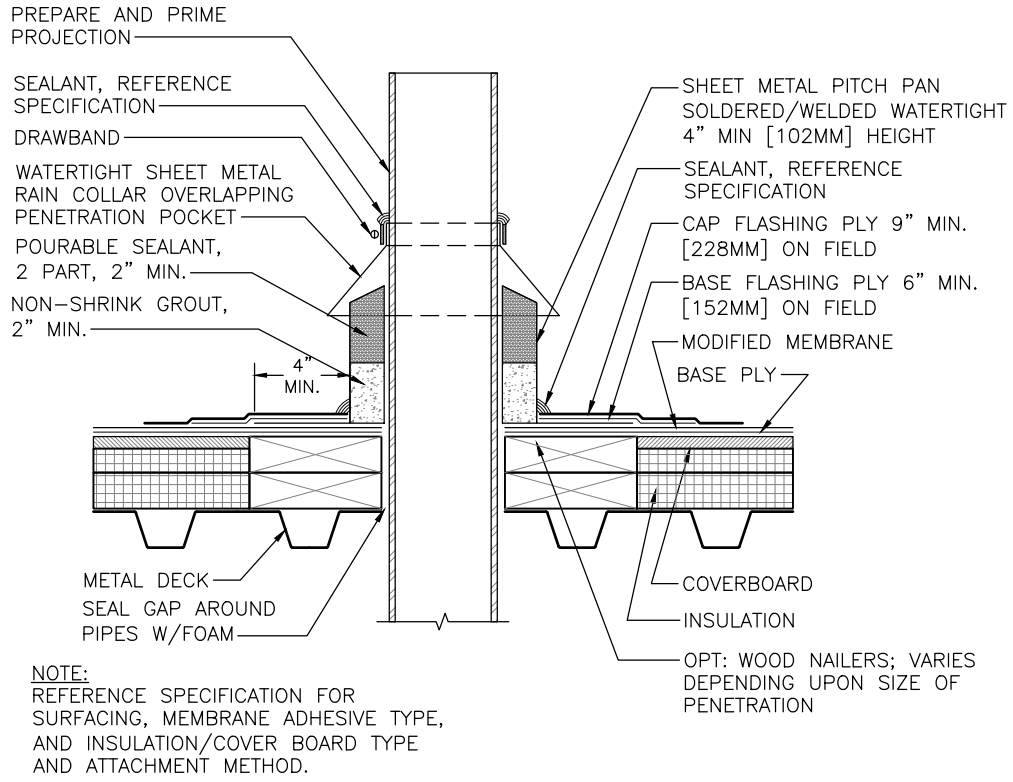
E HATCH DETAIL
6 SCALE: 1/2" = 1'-0"



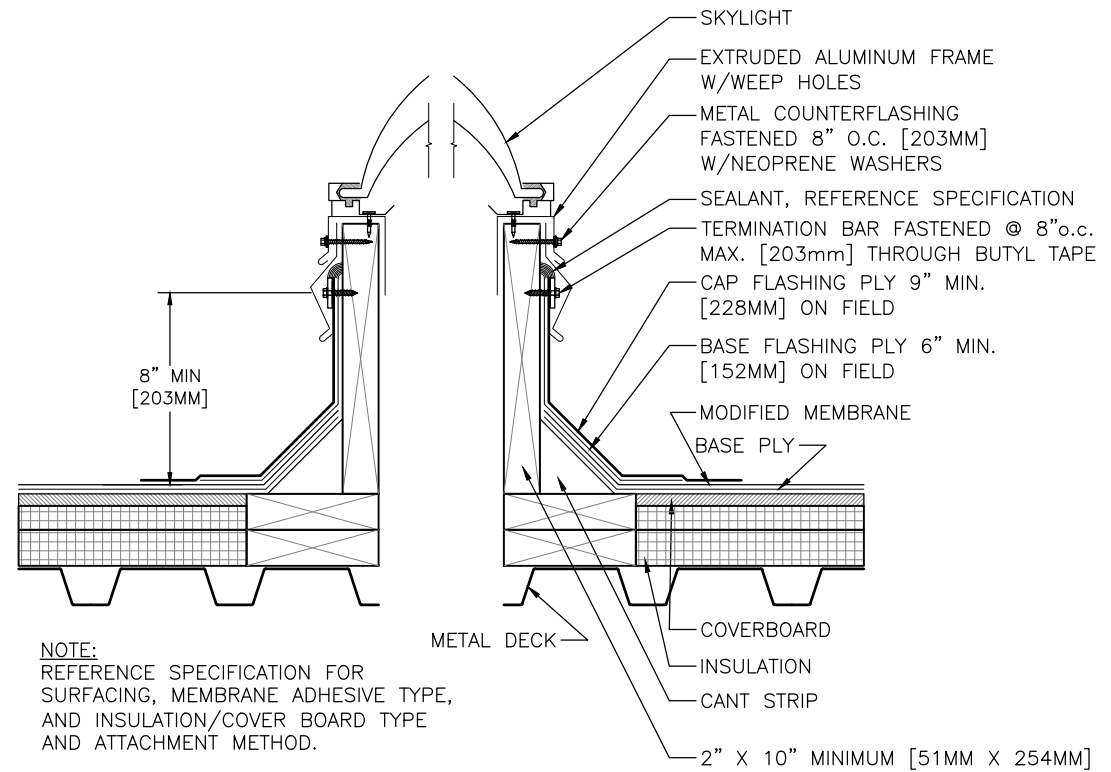
F PIPE/TUBE PENETRATION - SPLIT JACK w/COLLAR
6 SCALE: 1/2" = 1'-0"



G PLUMBING STACK
6 SCALE: 1/2" = 1'-0"



H PITCH POCKET (PIPE)
6 SCALE: 1/2" = 1'-0"



J SKYLIGHT
6 SCALE: 1/2" = 1'-0"

LAKE LAND COLLEGE
5001 LAKE LAND BLVD, MATTOON, IL 61938

GARLAND / DBS INC.
3800 EAST 91st STREET - CLEVELAND, OHIO 44105-2197
PHONE (800) 321-9336 / FAX (216) 641-0633

ARCHITECT: K2M DESIGN, INC. DATE: 06-04-24 DWG BY: GCK CHK BY: RB

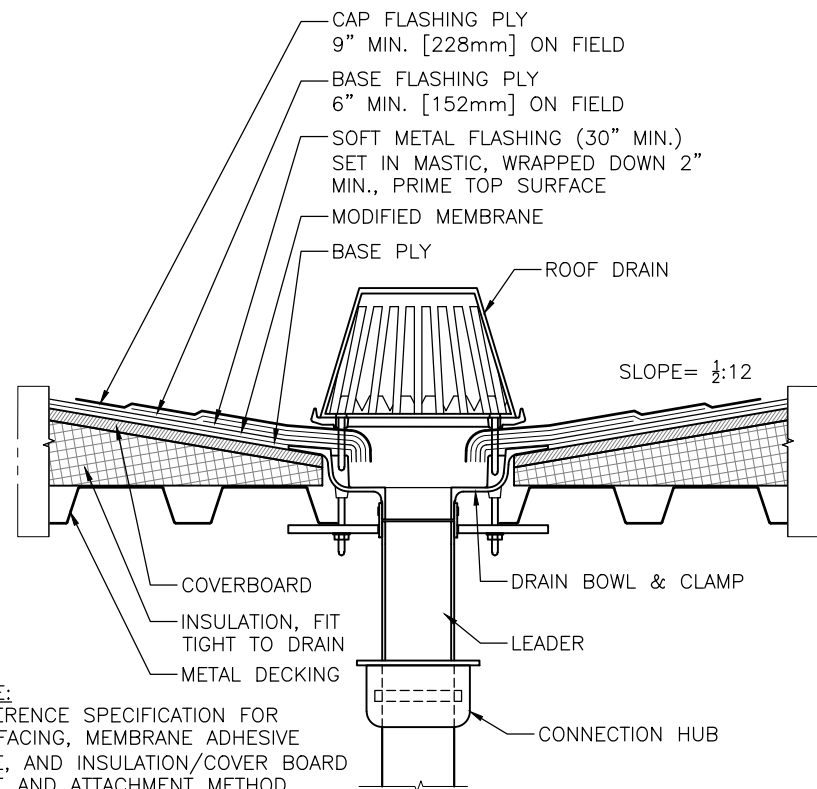
LICENSED ARCHITECT
SCOTT CHRISTOPHER MALONEY
No. 001.020039
STATE OF ILLINOIS

REVISION:

SCOTT C. MALONEY
COA: 18400768
LICENSE #: 001020039
EXPIRATION DATE: 11/30/2024
PROJECT NUMBER 2024-010

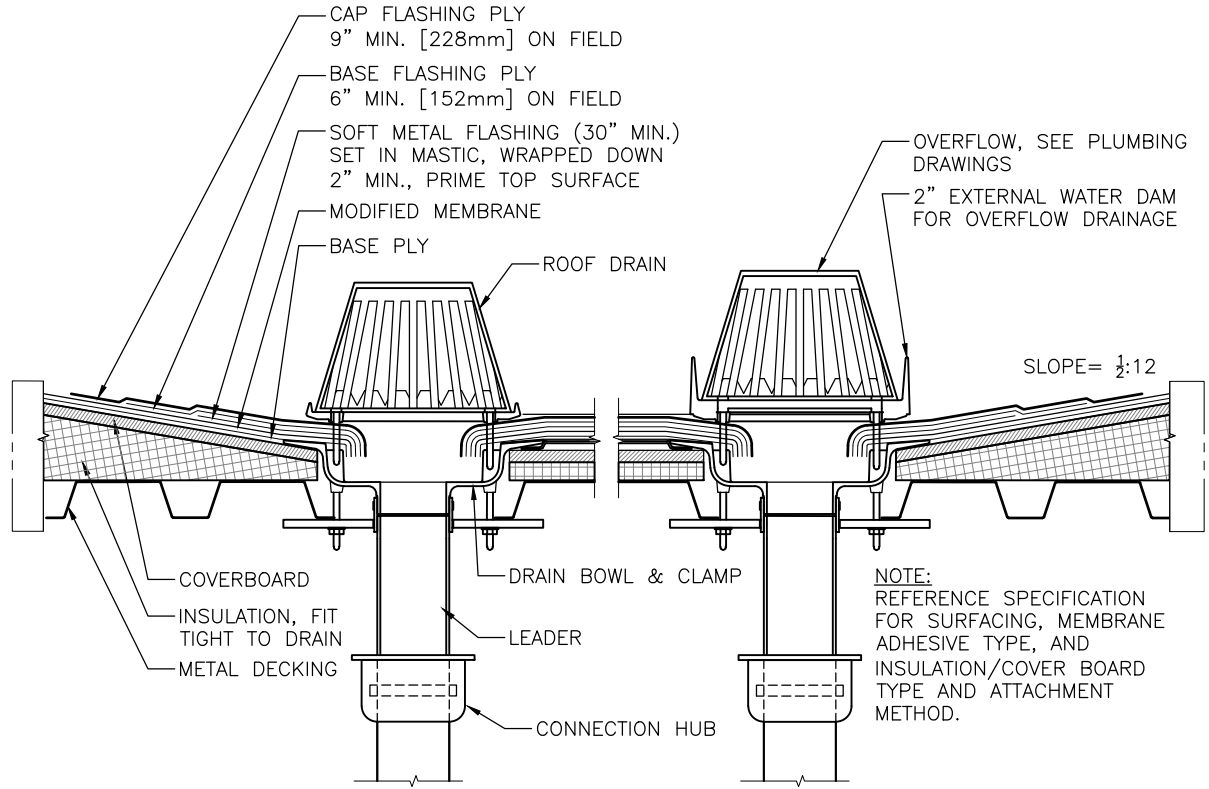
SHEET: 6 OF 7

NOTE: This item has been digitally signed and sealed. Digital signatures must be verified on electronic files. Reproduced copies of digitally signed, dated, and sealed documents are not considered signed and sealed.



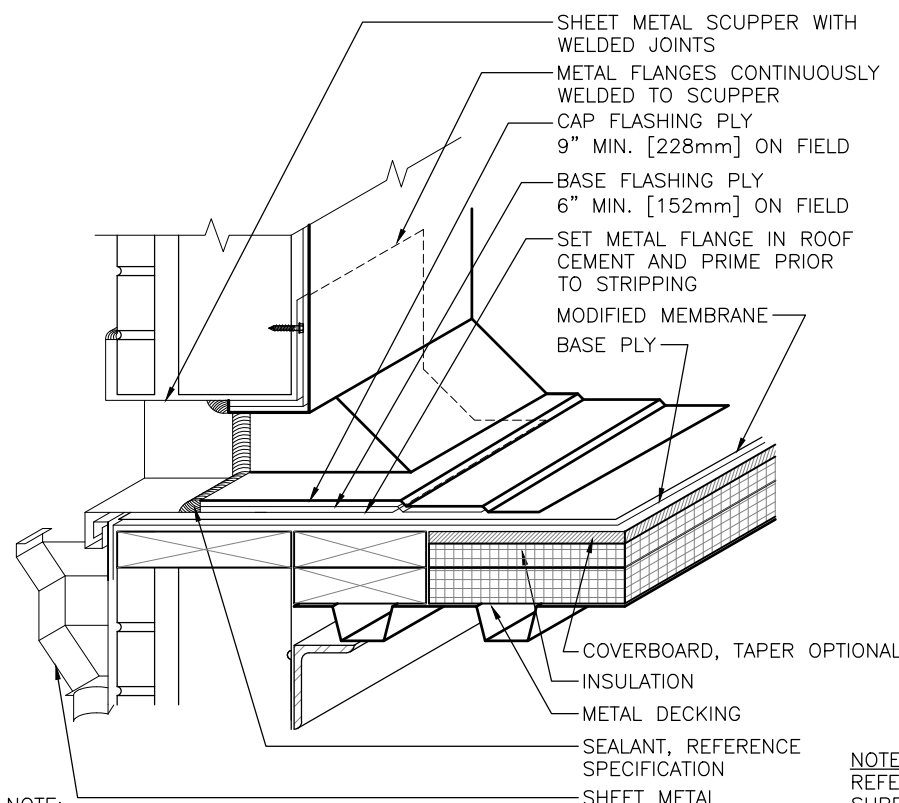
NOTE:
REFERENCE SPECIFICATION FOR SURFACING, MEMBRANE ADHESIVE TYPE, AND INSULATION/COVER BOARD TYPE AND ATTACHMENT METHOD.

K
7 **ROOF DRAIN**
SCALE: 1/2" = 1'-0"



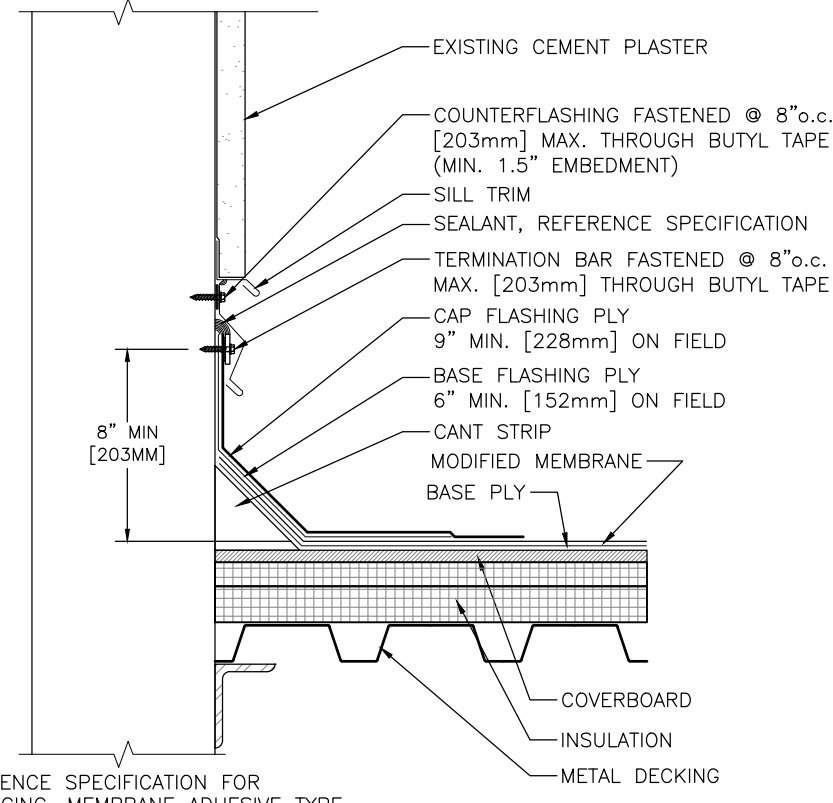
NOTE:
REFERENCE SPECIFICATION FOR SURFACING, MEMBRANE ADHESIVE TYPE, AND INSULATION/COVER BOARD TYPE AND ATTACHMENT METHOD.

L
7 **ROOF DRAIN AND OVERFLOW SUMPED**
SCALE: 1/2" = 1'-0"



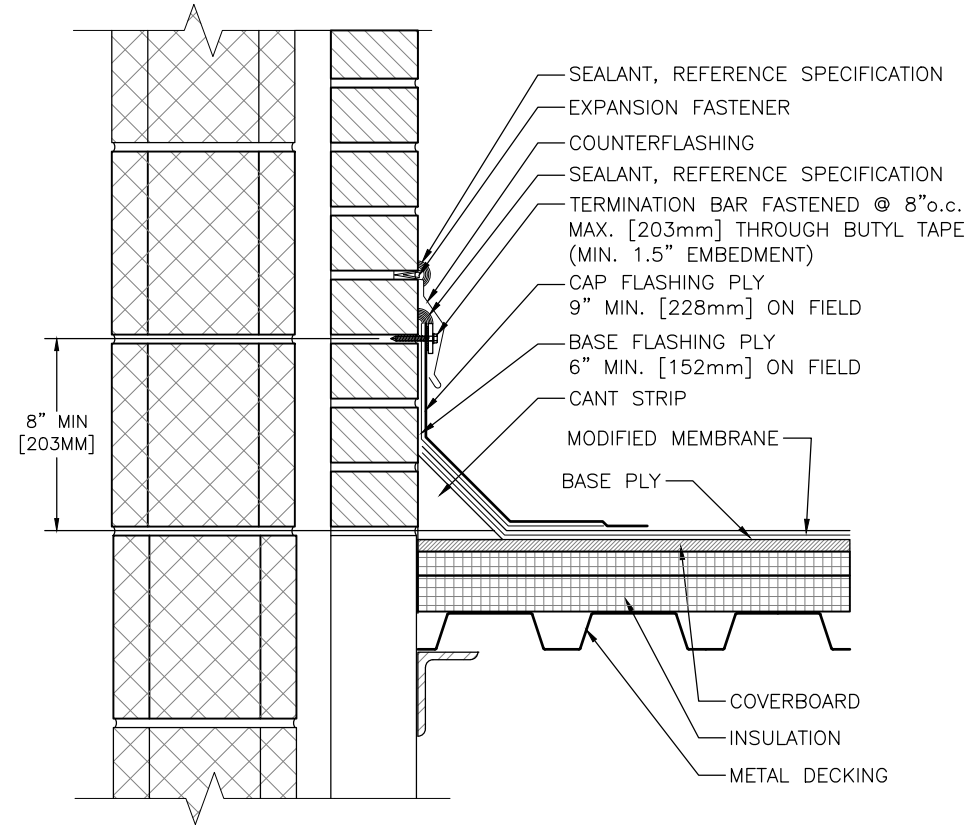
NOTE:
REFERENCE SPECIFICATION FOR SURFACING, MEMBRANE ADHESIVE TYPE, AND INSULATION/COVER BOARD TYPE AND ATTACHMENT METHOD.

M
7 **SCUPPER THROUGHWALL**
SCALE: 1/2" = 1'-0"



NOTE:
REFERENCE SPECIFICATION FOR SURFACING, MEMBRANE ADHESIVE TYPE, AND INSULATION/COVER BOARD TYPE AND ATTACHMENT METHOD.

N
7 **WALL FLASHING AT EXISTING CEMENT PLASTER WALL**
SCALE: 1/2" = 1'-0"



NOTE:
REFERENCE SPECIFICATION FOR SURFACING, MEMBRANE ADHESIVE TYPE, AND INSULATION/COVER BOARD TYPE AND ATTACHMENT METHOD.

P
7 **WALL FLASHING - REGLET MOUNTED COUNTERFLASHING**
SCALE: 1/2" = 1'-0"

LAKE LAND COLLEGE
5001 LAKE LAND BLVD, MATTOON, IL 61938

GARLAND / DBS INC.
3800 EAST 91st STREET - CLEVELAND, OHIO 44105-2197
PHONE (800) 321-9336 / FAX (216) 641-0633

ARCHITECT: K2M DESIGN, INC.

DATE: 06-04-24 DWG BY: GCK CHK BY: RB

LICENSED ARCHITECT
SCOTT CHRISTOPHER MALONEY
No. 001.020039
STATE OF ILLINOIS

SCOTT C. MALONEY
COA: 18400768
LICENSE #: 001020039
EXPIRATION DATE: 11/30/2024
PROJECT NUMBER 2024-010

SHEET: 7 OF 7

NOTE: This item has been digitally signed and sealed. Digital signatures must be verified on electronic files. Reproduced copies of digitally signed, dated, and sealed documents are not considered signed and sealed.